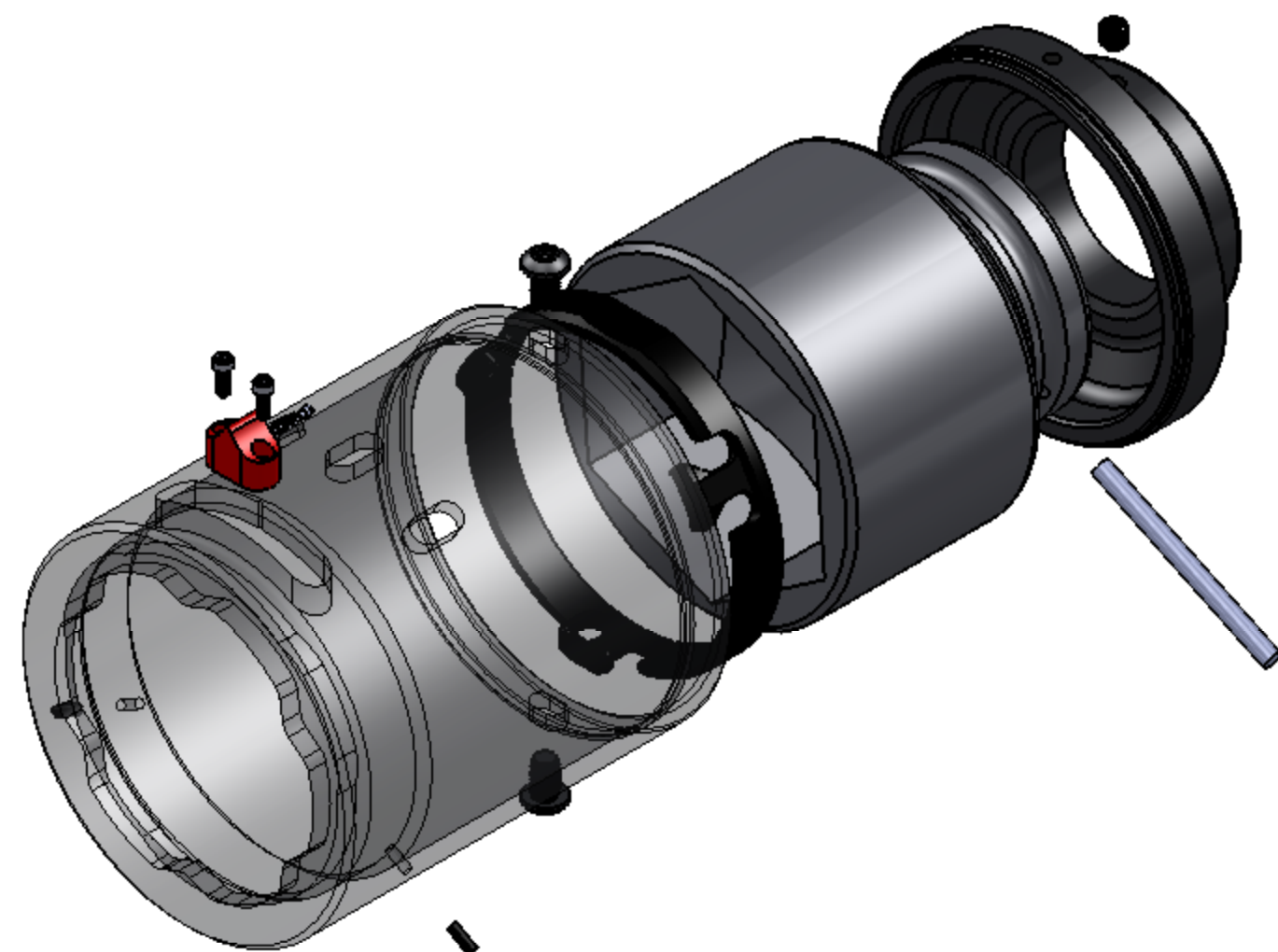


ASSEMBLY	SIZE	INCH	METRIC	BLANK	D OUTSIDE DIAMETER	L OVERALL LENGTH
A1DW012L	012	3/4	M20	1	2.305	2.960
A1DW014L	014	7/8	M24	2	2.305	3.105
A1DW100L	100	1	M27	3	2.500	3.355
A1DW102L	102	1-1/8	M30	4	2.806	3.514
A1DW104L	104	1-1/4	M33	5	3.092	3.605
A1DW106L	106	1-3/8	M36	6	3.328	3.935
A1DW108L	108	1-1/2	M39	7	3.524	3.980
A1DW110L	110	1-5/8	M42	8	3.800	4.105
A1DW112L	112	1-3/4	M45	9	3.900	4.259
A3DW102L	102	1-1/8	M30	4	2.806	3.753
A3DW104L	104	1-1/4	M33	5	3.092	4.048
A3DW106L	106	1-3/8	M36	6	3.328	4.417
A3DW108L	108	1-1/2	M39	7	3.524	4.455
A3DW110L	110	1-5/8	M42	8	3.800	4.580
A3DW112L	112	1-3/4	M45	9	3.900	4.705
A3DW114L	114	1-7/8	M48	10	4.409	5.495
A3DW200L	200	2	M52	11	4.450	5.600
A3DW204L	204	2-1/4	M56	12	4.800	5.900
A5DW110L	110	1-5/8	M42	8	4.000	5.270
A5DW112L	112	1-3/4	M45	9	4.218	5.385
A5DW114L	114	1-7/8	M48	10	4.409	5.595
A5DW200L	200	2	M52	11	4.764	5.790
A5DW204L	204	2-1/4	M56	12	5.236	6.000
A5DW208L	208	2-1/2	M64	13	5.669	6.450
A8DW110L	110	1-5/8	M42	8	4.000	5.345
A8DW112L	112	1-3/4	M45	9	4.218	5.460
A8DW114L	114	1-7/8	M48	10	4.409	5.670
A8DW200L	200	2	M52	11	4.764	5.865
A8DW204L	204	2-1/4	M56	12	5.236	6.075
A8DW208L	208	2-1/2	M64	13	5.669	6.450
A8DW300L	300	3	M80	15	6.535	7.575
A10DW110L	110	1-5/8	M42	8	4.000	5.470
A10DW112L	112	1-3/4	M45	9	4.218	5.610
A10DW114L	114	1-7/8	M48	10	4.409	5.831
A10DW200L	200	2	M52	11	4.764	6.015
A10DW204L	204	2-1/4	M56	12	5.236	6.154
A10DW208L	208	2-1/2	M64	13	5.669	6.649
A10DW300L	300	3	M80	15	6.535	7.774

This drawing is the property of the JetYd Corporation and the information thereon is to be treated as confidential. It is not to be used, copied or disclosed to outside parties without our written consent.


© COPYRIGHT 2009, JETYD CORPORATION

TOLERANCE .xxx=±.005 .xx=±.010 x/x=±1/64 ∠=±1° UNLESS OTHERWISE SPECIFIED	MATERIAL	TITLE: DISC DRIVE L-STYLE FOR DISC WASHERS	
SCALE 1:1	FINISH	DRAWN: JRZ	CHECKED: _____
		DATE: 7/29/09	DATE: _____
		SIZE: C	DRAWING NUMBER: AXDWYYYYL



ASSEMBLY	SIZE	INCH	METRIC	BLANK	D OUTSIDE DIAMETER	L OVERALL LENGTH
A1DM012L	012	3/4	M20	1	2.305	3.640
A1DM014L	014	7/8	M24	2	2.305	3.895
A1DM100L	100	1	M27	3	2.500	4.235
A1DM102L	102	1-1/8	M30	4	2.806	4.394
A1DM104L	104	1-1/4	M33	5	3.092	4.555
A1DM106L	106	1-3/8	M36	6	3.328	4.760
A1DM108L	108	1-1/2	M39	7	3.524	4.970
A1DM110L	110	1-5/8	M42	8	3.800	5.095
A1DM112L	112	1-3/4	M45	9	3.900	5.249
A3DM102L	102	1-1/8	M30	4	2.806	4.633
A3DM104L	104	1-1/4	M33	5	3.092	4.998
A3DM106L	106	1-3/8	M36	6	3.328	5.242
A3DM108L	108	1-1/2	M39	7	3.524	5.445
A3DM110L	110	1-5/8	M42	8	3.800	5.570
A3DM112L	112	1-3/4	M45	9	3.900	5.695
A3DM114L	114	1-7/8	M48	10	4.409	6.165
A3DM200L	200	2	M52	11	4.450	6.520
A3DM204L	204	2-1/4	M56	12	4.800	7.020
A5DM106L	106	1-3/8	M36	6	3.606	5.500
A5DM108L	108	1-1/2	M39	7	4.140	5.652
A5DM110L	110	1-5/8	M42	8	4.000	6.260
A5DM112L	112	1-3/4	M45	9	4.218	5.795
A5DM114L	114	1-7/8	M48	10	4.409	6.565
A5DM200L	200	2	M52	11	4.764	6.705
A5DM204L	204	2-1/4	M56	12	5.236	7.120
A5DM208L	208	2-1/2	M64	13	5.669	7.690
A8DM108L	108	1-1/2	M39	7	4.140	5.727
A8DM110L	110	1-5/8	M42	8	4.000	6.335
A8DM112L	112	1-3/4	M45	9	4.218	5.870
A8DM114L	114	1-7/8	M48	10	4.409	6.640
A8DM200L	200	2	M52	11	4.764	6.780
A8DM204L	204	2-1/4	M56	12	5.236	7.195
A8DM208L	208	2-1/2	M64	13	5.669	7.690
A8DM300L	300	3	M80	15	6.535	9.125
A10DM110L	110	1-5/8	M42	8	4.000	6.460
A10DM112L	112	1-3/4	M45	9	4.218	6.020
A10DM114L	114	1-7/8	M48	10	4.409	6.801
A10DM200L	200	2	M52	11	4.764	6.930
A10DM204L	204	2-1/4	M56	12	5.236	7.274
A10DM208L	208	2-1/2	M64	13	5.669	7.889
A10DM212L	212	2-3/4	M72	14	6.102	8.306
A10DM300L	300	3	M80	15	6.535	9.324
A10DM304L	304	3-1/4	M85	16	7.480	8.949

© COPYRIGHT 2009, JETYD CORPORATION

TOLERANCE .xxx=±.005 .xx=±.010 x/x=±1/64 ∠=±1° UNLESS OTHERWISE SPECIFIED	MATERIAL	TITLE: DISC DRIVE L-STYLE FOR DREAM MAKERS	
SCALE 1:1	FINISH	 DRAWN: JRZ DATE: 7/29/09 CHECKED: _____ DATE: _____ SIZE: C DRAWING NUMBER: AXDMYYYYL	

This drawing is the property of the JetYd Corporation and the information thereon is to be treated as confidential. It is not to be used, copied or disclosed to outside parties without our written consent.