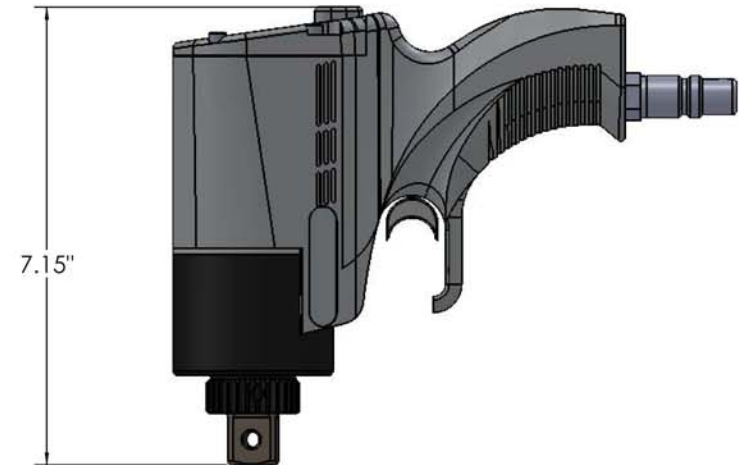
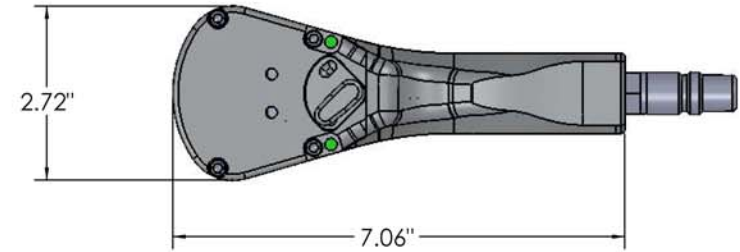
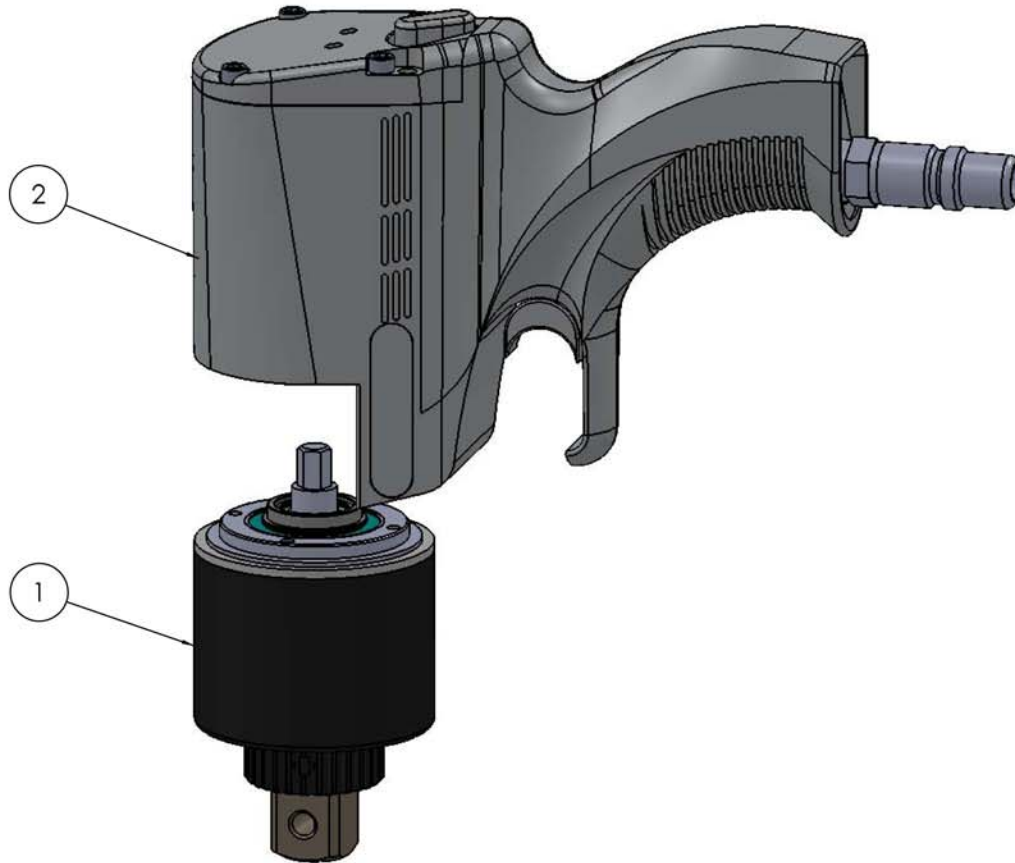


ITEM NO.	PART NUMBER	DESCRIPTION	QTY.
1	A000077	JGB-A25	1
2	A000078	HANDLE ASSY, JP25-J3 SINGLE SPEEDS	1

REVISIONS			
LTR	DESCRIPTION OR ECN No.	APP.	DATE
A	-	-	-
B	-	-	-
C	-	-	-



© COPYRIGHT 2010, THE TORC GUN COMPANY

TOLERANCE	MATERIAL	TITLE: JGUN-AP25
XXX = ±.005	-	ILLUSTRATED PARTS BREAK-DOWN
.XX = ±.010	-	
XX = ±1/64	-	
* = ±1°	-	
UNLESS OTHERWISE SPECIFIED	FINISH	
SCALE	-	DRAWN: MCH
NTS	-	DATE: 2-09-10
		CHECKED: MCH
		DATE: -
		PART NUMBER: JGUN-AP25

This drawing is the property of The Torc Gun Company, and the information therein is to be treated as confidential. It is not to be used, copied or disclosed to outside parties without our written consent.

WEIGHT	OVERALL LENGTH	SQUARE DRIVE SIZE	MAX SPEED HIGH	MAX SPEED LOW	MAX TORQUE HIGH	MAX TORQUE LOW
	7.15"	3/4"			275	65